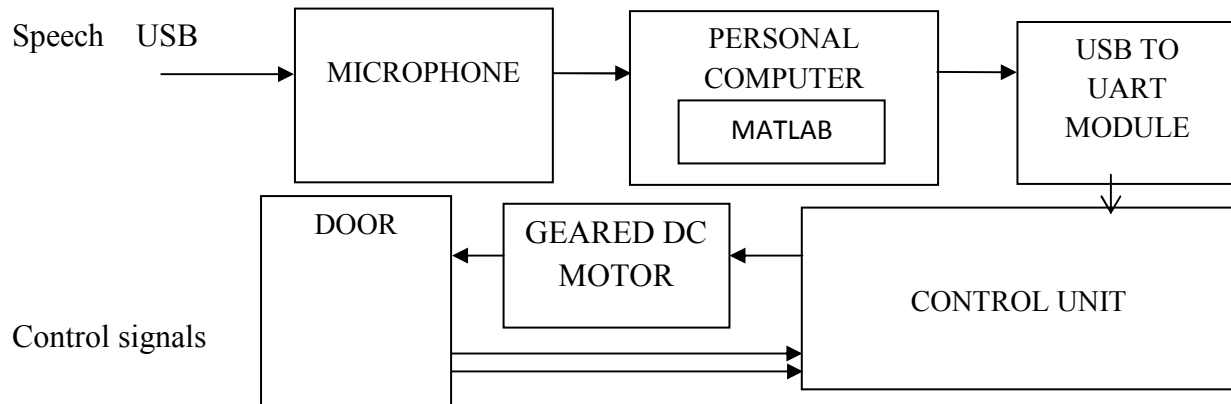


Block Diagram:



Prototype of the Project Module

