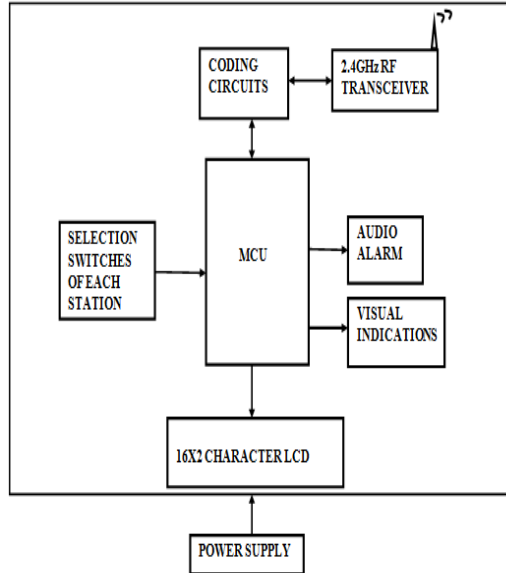
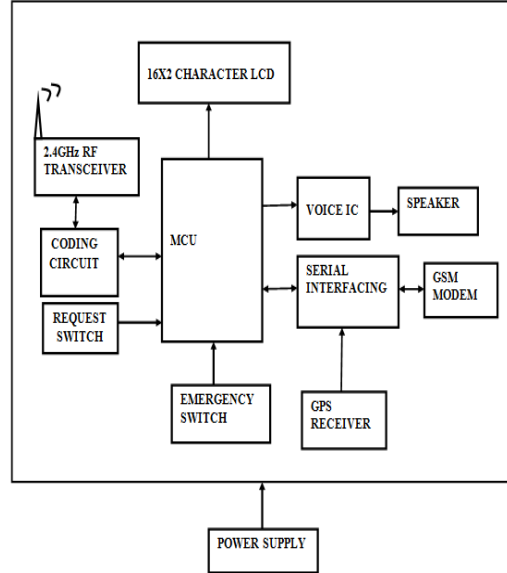


## Block Diagram:

### Passenger Bus Unit



### Blind Unit



Figure

1: Block diagram of bus unit

Figure 2: Block diagram of blind unit

### Snapshot

- The figure 3 is the snapshot of the LCD display in the bus unit when the input to the PIC microcontroller is 1110. When 1110 is given to the PIC microcontroller its corresponding location name 'ULLAL' is displayed and transmitted. The figure 4 is the snapshot of LCD display in the blind unit when it receives the transmitted data.

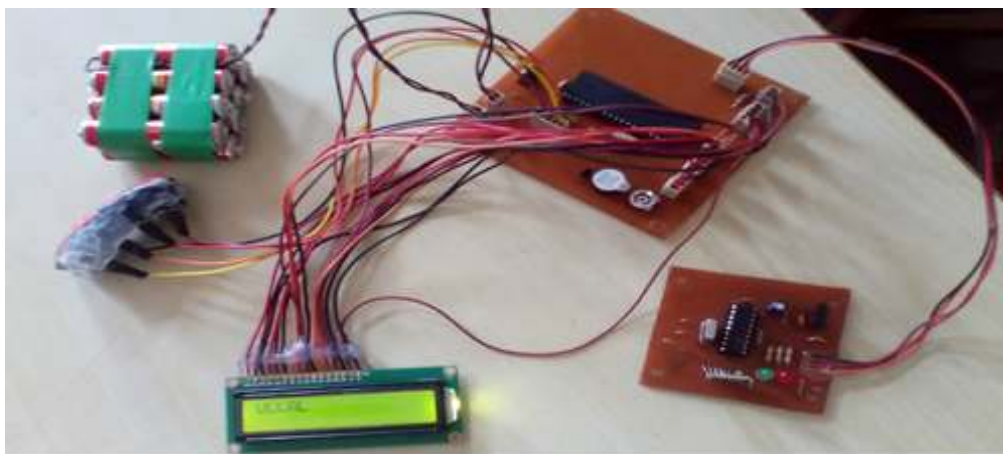


Figure 3: LCD display during transmission

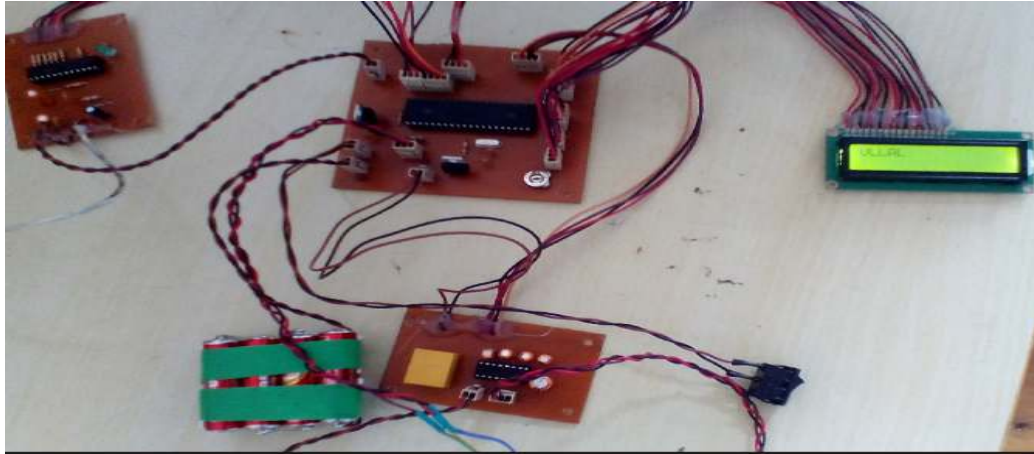


Figure 4: LCD display after transmission

- This is the snapshot of the LCD display, when the system sends its location to a preprogrammed number on pressing the emergency switch.

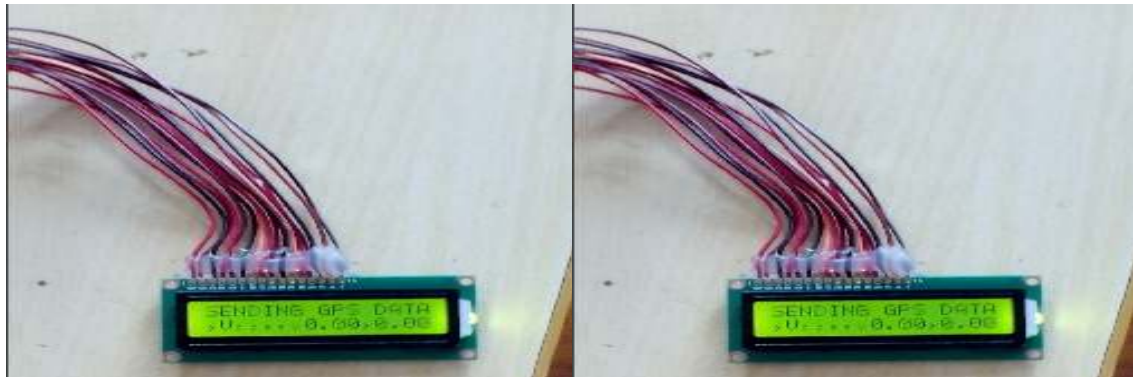


Figure 5: LCD display in case of emergency