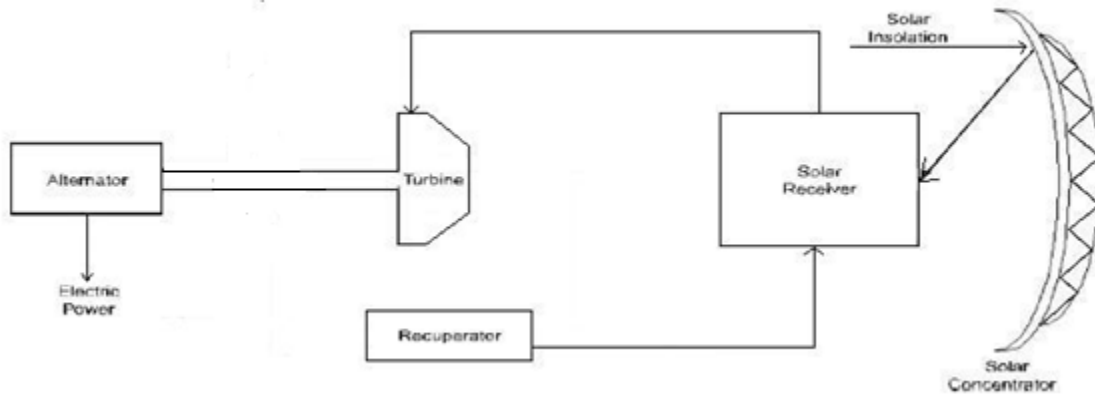


Block Diagram:



SCREENSHOTS:



Fig: Collector setup



Fig: Steam flow regulation unit



Fig: parabolic dish installed



Fig: Dish collector assembled



Fig: Turbine fabricated



Fig: Turbine being connected